



AG-5/MAXI-PAW POP-UP SPRINKLER

Installation Instructions English

THANK YOU for purchasing the AG-5/Maxi-Paw sprinkler from Rain Bird, the world's leading manufacturer of quality irrigation products. PLEASE read these instructions before proceeding with installation. This versatile and durable sprinkler was designed by Rain Bird to efficiently water medium to large-sized areas at virtually any flow rate (from 1.5 to 8.4 GPM). It has a pop-up height of 3" to clear tall grasses, yet pops down out of sight when not in use. With its 5 nozzles and adjustable arc setting from 20° to 340°, or 360° it can handle virtually any watering job. And its heavy-duty, high-impact case protects the AG-5/ Maxi-Paw impulse sprinkler from damage.

INSTALLATION TIPS

Flush the piping system thoroughly before installing the sprinklers. Use only teflon tape on the connecting pipes or fittings. Do not use PVC cement or other glues as they may chemically damage the threads. Install the AG-5/Maxi-Paw sprinklers so that the flanged area is positioned level with the ground (see Fig. #1). The AG-5/Maxi-Paw has both side and bottom inlets. The side inlet may be used with 1/2" connectors and the bottom inlet may be used with either 3/4" or 1/2" connectors.

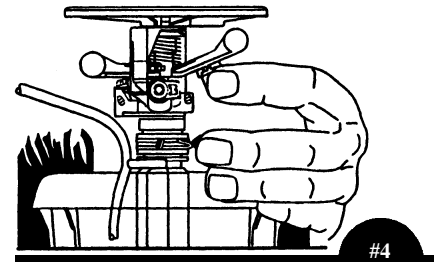
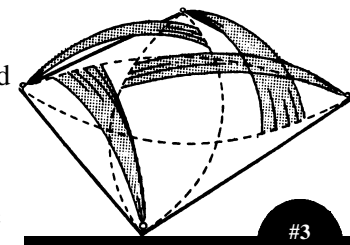
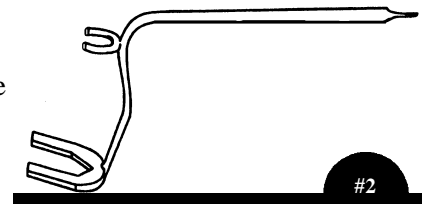
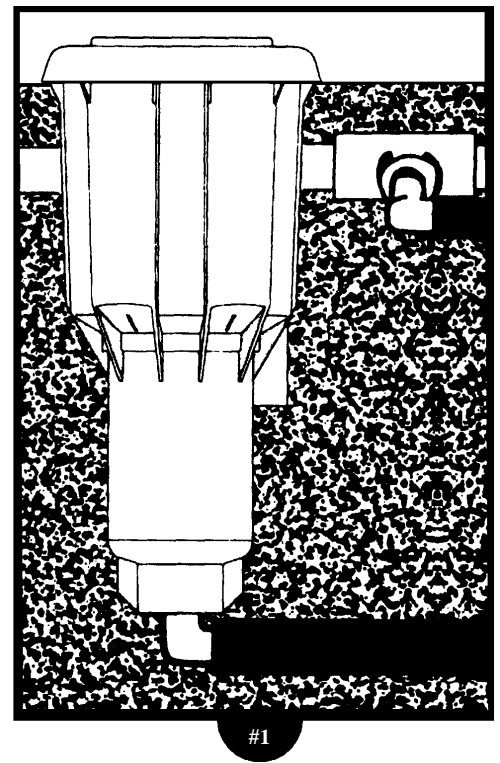
Use a screwdriver or the tip of Rain Bird wrench #42064 shown in Fig. #2 (sold separately) to unscrew the plug. Install it in the inlet you are not using.

SPACING AND POSITIONING

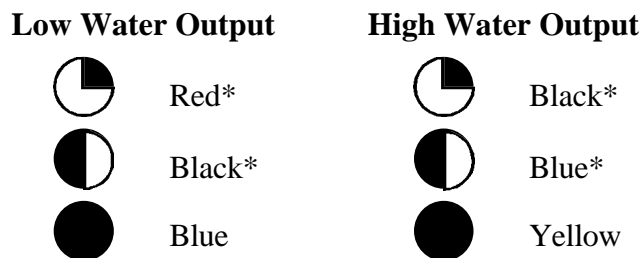
Your Rain Bird pop-up impulse sprinklers should be spaced so that the area watered by every sprinkler head extends to each sprinkler head around it (see fig.#3). The result is a 100% overlap at all points of the watered area, providing optimum water distribution and even coverage. Refer to Rain Bird's Free Sprinkler Design Service guide (available at most dealers or by calling the Expert Advice hotline at 1-800-RAIN-BIRD) for specific instructions on measuring your water system's pressure and flow rate and calculating the correct number of sprinklers and valves needed. Are your sprinklers throwing water too far? Simply adjust the radius reduction screw (Fig. #4) to decrease the watering pattern's borders by up to 25%.

NOZZLE SELECTION

Given the same size nozzle, a sprinkler watering in a quarter circle pattern will water at a faster rate than a sprinkler watering in a half or full circle pattern. This is because the area of the half or full circle pattern is larger and requires a longer watering time. Many conventional sprinklers do not account for this difference in water requirement. As a result, to adequately water half or full circle areas, too much water is applied in quarter circle areas. This results in puddling and wasted wa-



Your AG-5/Maxi-Paw sprinkler comes with 5 nozzles to expertly match your irrigation system's specifications. It gives you the ability to water an area evenly without puddles. This feature is called "matched precipitation" and is achieved by correctly using the 5 colored nozzles. Provided below are two typical examples of the way you would match your precipitation rate:



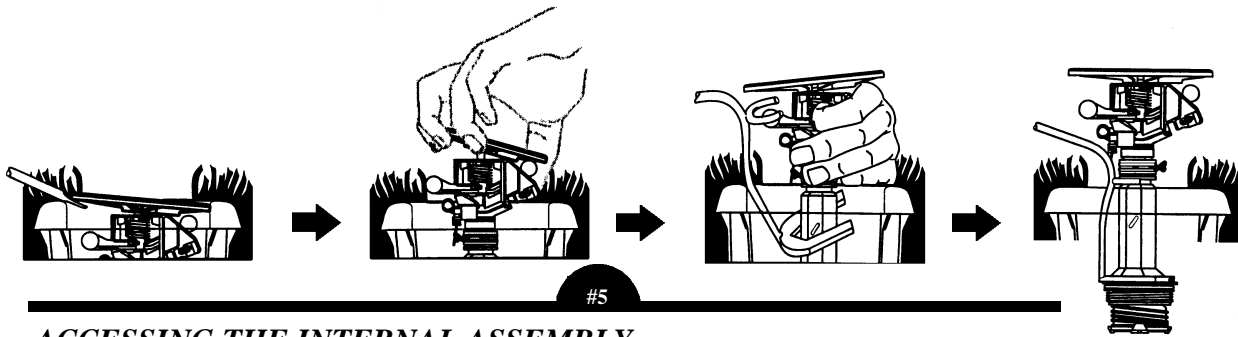
**Don't forget to change the sprinkler's arm spring position (see fig. #7 on the following page).*

Shown below is a performance chart for the AG-5/Maxi-Paw that may help you select the correct nozzle based on your system's pressure and flow. If you have any questions about nozzle selection, please call us

RAIN BIRD Nozzle Selection Chart

<i>Water Pressure</i>	<i>Maximum Spacing-FT</i>	<i>GPM Output</i>	<i>Nozzle</i>	<i>Circle Pattern</i>
30 psi	43	1.5	Red	1/4
	44	2.1	Black	1/3
	46	3.0	Blue	1/2
	49	4.5	Yellow	3/4
	48	5.9	Beige	Full
40 psi	46	1.8	Red	1/4
	47	2.4	Black	1/3
	47	3.5	Blue	1/2
	49	5.2	Yellow	3/4
	53	6.7	Beige	Full
50 psi	46	2.0	Red	1/4
	48	2.7	Black	1/3
	49	3.9	Blue	1/2
	53	5.7	Yellow	3/4
	53	7.4	Beige	Full
60 psi	46	2.2	Red	1/4
	49	2.9	Black	1/3
	50	4.2	Blue	1/2
	53	6.4	Yellow	3/4
	54	8.4	Beige	Full

NOTE: The yellow and beige nozzles are not recommended if the minimum water flow specified is not met.

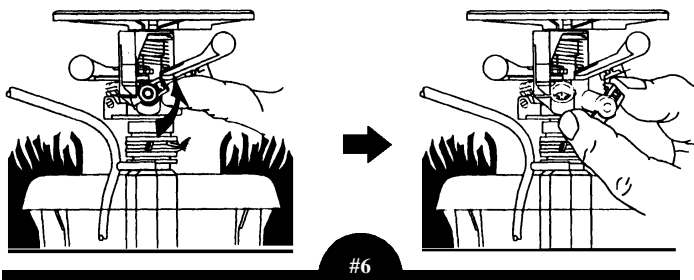


ACCESSING THE INTERNAL ASSEMBLY

To Change the nozzle or set the arc on your sprinkler, you will have to lift the cover to be able to access the internal assembly (Fig. #5). There are two ways to do this: you may find it easiest to use the Rain Bird wrench shown in Fig. #2 to lift and hold up the internal assembly; however, it is also possible to use your hands. You may prefer to use your hands when you set the arc because the wrench can get in the way - just be careful to not let the top of the sprinkler pop down on your fingers!

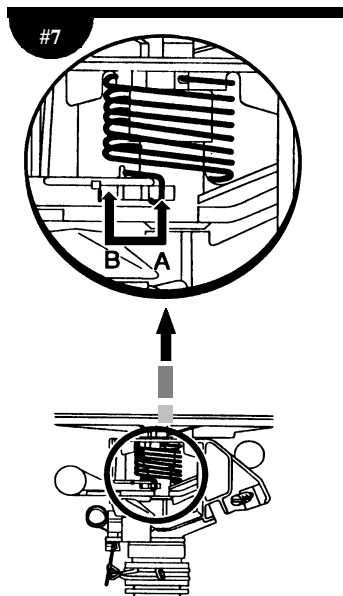
CHANGING THE NOZZLE

The AG-5/Maxi-Paw comes complete with a blue nozzle installed. To change it, first use the Rain Bird wrench shown in Fig. #2 to lift and hold up the sprinkler's internal assembly. With one hand hold the sprinkler's arm out of the way and with the other use your thumb and finger to turn the tab of the nozzle counterclockwise (to the left). It will rotate about 1/4 turn and then you may pull it out (see Fig. #6). Insert the new nozzle into the opening. Turn it clockwise (to the right) until you hear a click indicating it has locked into position.



SPRING PLACEMENT

The red and black nozzles require adjusting the arm spring. Your AG-5/Maxi-Paw is shipped with the tip of the spring in the "A" position. If you use the red or black nozzles, you will need to change it to the "B" position (see Fig. #7). The lighter tension of the spring in the "B" position will permit better operation of the sprinkler's arm and tripping mechanisms in low-flow situations.



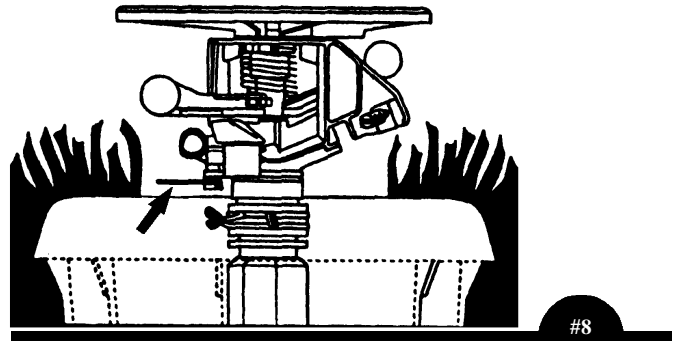
Nozzle	Position
Red	B
Black	B
Blue	A
Yellow	A
Beige	A

SETTING THE WATERING PATTERN

Rain Bird's AG-5/Maxi-Paw sprinkler may be set to water a full or a part circle with a few simple adjustments. After installation, lift the lid and locate the two pattern adjusters, or trip collars, and the trip lever. To water full circle: flip the trip lever up, allowing the head to rotate in a complete circle (Fig. #8).

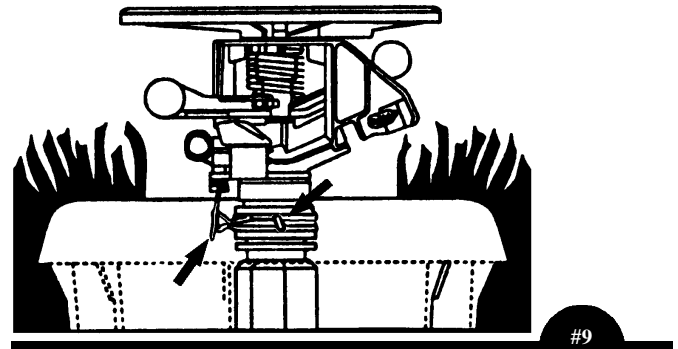
To water a part circle: flip the trip lever down, then slowly move the two pattern adjusters (Fig. #9). The sprinkler will water the angle you set with the pattern adjusters (on the opposite side of the trip lever).

NOTE: You will need to fine-tune the arc with the pattern adjusters while the sprinkler is operating.



MAINTENANCE TIPS

Do not use oil, grease, or pipe dope on the sprinkler; it is water lubricated. If the AG-5/Maxi-Paw sprinkler fails to operate, check the nozzle for obstructions, verify that your irrigation timer works properly, and that the valve(s) open correctly to provide water to the sprinkler. In cold climates, it is recommended that you purge your irrigation system with an air compressor when you shut the system off for the winter; this will blow out any water remaining in the sprinklers that might damage them upon freezing. Refer to Rain Bird's Winterization Guide for the correct procedure-call us for a free copy. Please call our Expert Advice hotline if you have questions or require assistance installing your AG-5/Maxi-



Call 1-800-RAIN-BIRD (1-800-724-6247)

We're Here to Help!



RAIN  BIRD®

Rain Bird National Sales Corporation
Rain Bird Sales, Inc. Customer Support Center
6991 E. Southpoint Rd., Bldg. #1, Tucson, AZ 85706
1-800-RAIN-BIRD (520) 434-6290 FAX
®Registered Trademark of Rain Bird Corporation
© Copyright 1995 Rain Bird Corporation
Printed in U.S.A.



P/N 141267